

FerryBox Task Team

Andrew King and Wilhelm Petersen (co-chairs)

Kai Sørensen, Henning Wehde, Kate Collingridge, Patrick Gorringer, Seppo Kaitala, Jukka Seppala, Bengt Karlson, Urmas Lips, Loic Petit De La Villeon, George Petihakis

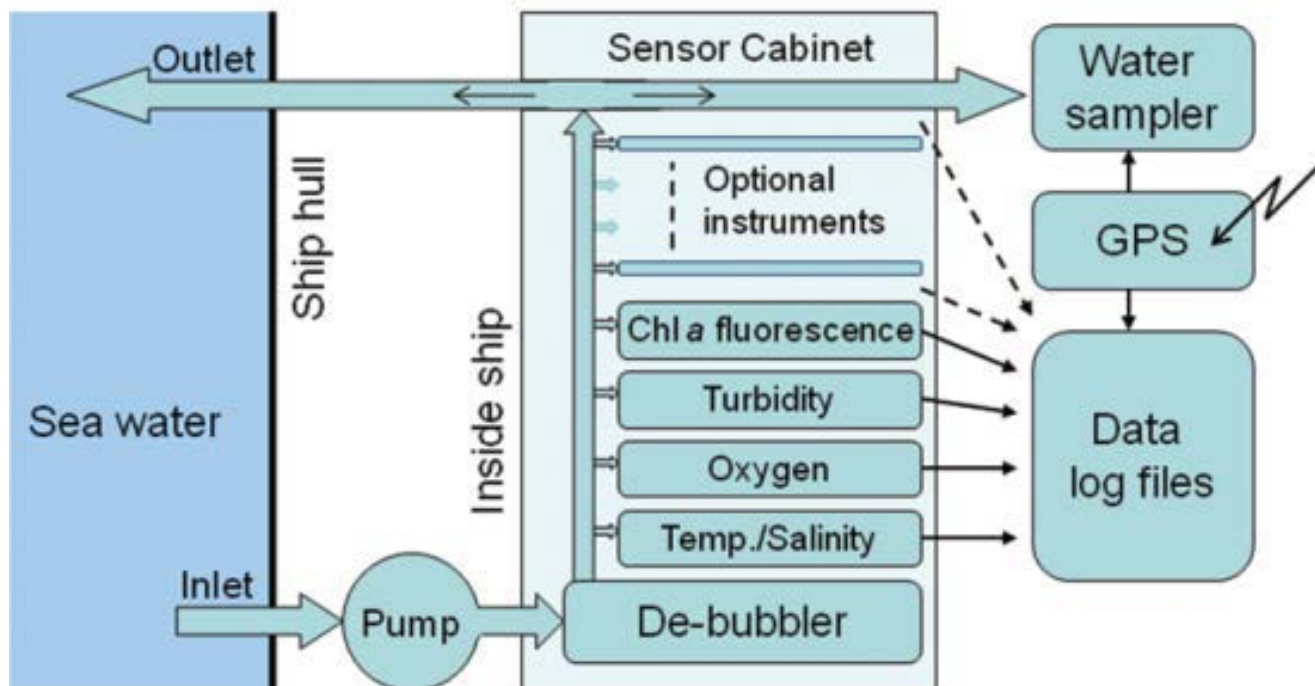
NIVA (NO), HZG (DE), IMR (NO), CEFAS (UK), EuroGOOS (BE)
SYKE (FI), SMHI (SE), MSI (EE), IFREMER (FR), HCMR (GR)

What is a FerryBox?

Ocean observations for research and monitoring:

core variables: salinity, temp, turbidity, chl-a fluorescence

additional variables: oxygen, pH, pCO₂, total alkalinity, nutrients, algal pigments, CDOM, irradiance, discrete and passive samplers



FerryBoxes around Europe



Fixed routes

Ferries

Cargo ships



Random routes

Research Vessels



Cruise Liners



FerryBoxes around Europe

28 lines in European waters

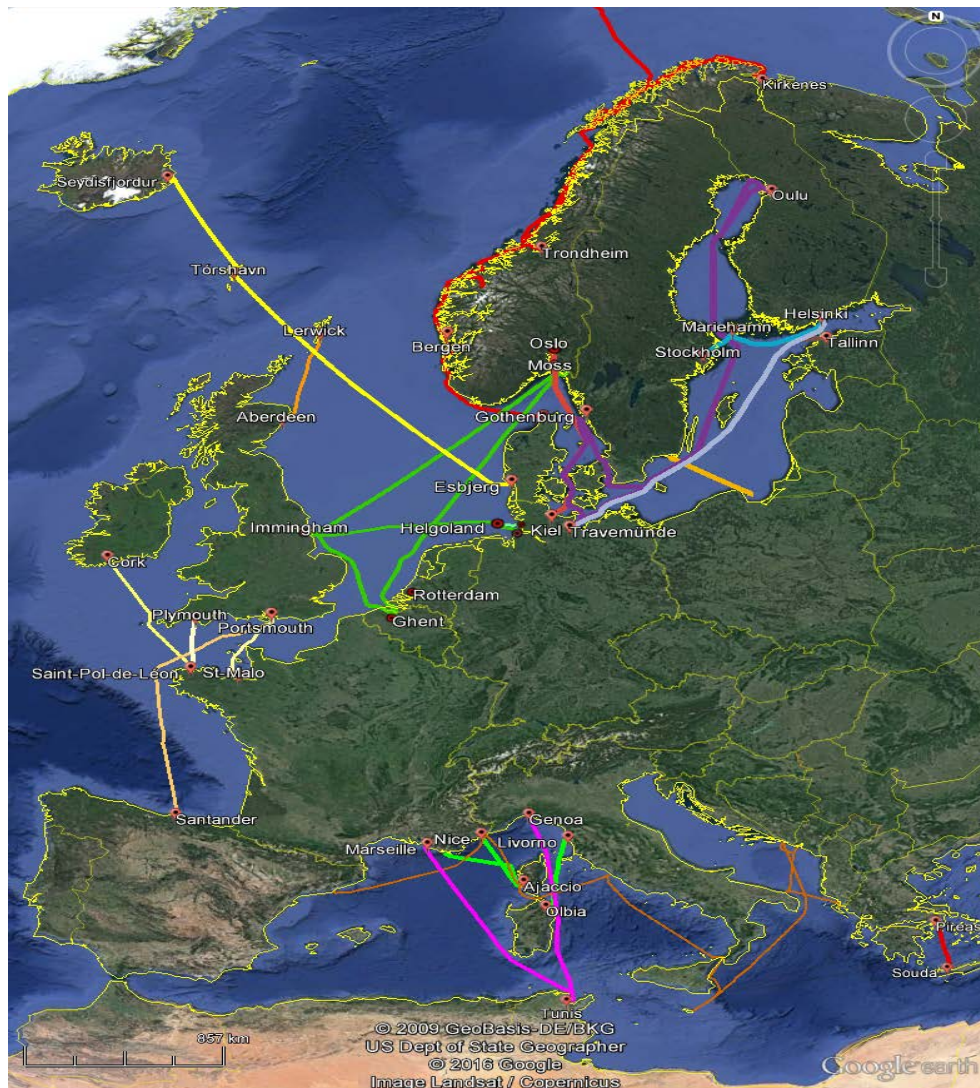
- 17 passenger ships
- 6 container
- 5 research vessels

Operating frequencies

Daily – twice monthly
Random, irregular

Sensor/samplers

Basic/core
Advanced biological
Advanced chemical
Advanced physical
Advanced remote sensing





Aims of the FerryBox Task Team

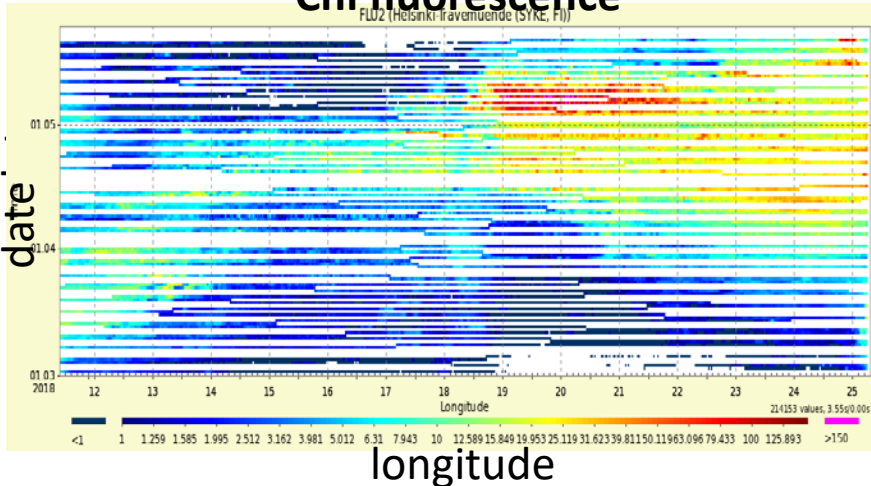
- **Coordinate and secure the sustainability** of the European FB network
- **Increase the network of routes** in regions of poor coverage
- **Promote productive partnerships with industries** involved with ferry and shipping companies, aquaculture, and fisheries
- **Implement new and innovative sensors** towards **anthropogenic issues** such as eutrophication, harmful algae, litter/contaminants, ocean acidification, and C cycling
- Building up a common **European FB database** and **data portal**
- **Integration of FBs** with *other observation platforms and research activities*

European FerryBox Database

- Common European Database for increasing visibility and availability of FerryBox data
- Agreement (within JERICO-NEXT) to use HZG database (<http://ferrydata.hzg.de>) as a basis for an European database for all European FerryBoxes on fixed routes
- Regular imports now from 10 FB routes in Europe
- Sustainable funding is still an issue

Chl fluorescence

FLU2 (Helsinki-Travemünde (SYKE, FI))



Current Activities of FerryBox Task Team



Ongoing

Workshops every 1.5 years

- Oct 2017 NIVA Color Fantasy FB
- Spring 2019 at Genoa Aquarium

Data handling/delivery

- Near real-time to ROOS/EMODnet
- European FB database/portal
- ferrydata.hzg.de

Coordination/EU projects

JERICO-NEXT, NEXOS, EnvriGuard, MariaBox; JCOMM-SOT

2018-2019

Seeking joint funding

H2020 BG-07 and BG-08
Other (inter)national funding

New funding

- JERICO-NEXT TNA projects on ocean acidification, microplastics, macronutrients, heavy metals
- New Norwegian FB infrastructure project (2018-2023)

Coordination/strategy

- EMODnet phase 3
- CMEMS INS TAC
- EOOS strategy/implementation



ROOS Annual Meeting May 2018



FB Task Team perspective on EOOS



Activity	Pilot title
Activity 1. EOOS mapping and stakeholder engagement	Pilot project 1.1 Mapping existing infrastructures and capabilities
	Pilot project 1.2 Requirements gathering for EOOS
	Pilot project 1.3 EOOS conference 2018
	Pilot project 1.4 Stakeholder co-design of strategy and implementation plan 2018-2022
Activity 2. Policy context and foresight	Pilot project 2.1 Future science brief on biological observations
	Pilot project 2.2 EOOS policy landscape
Activity 3. Implementation of EOOS observing system elements	Pilot project 3.1 EOOS Technologies Forum
Activity 4. EOOS Funding	Pilot project 4.1 EOOS cost-benefit analysis
Activity 5. Communications and outreach	Pilot project 5.1 EOOS communication strategy
	Pilot project 5.2 Maintain and evolve EOOS web presence
Activity 6. Governance	Pilot project 6.1 Evolution of EOOS governance

About

FerryBox Routes

Data & Dissemination

Contact & Links



FerryBox Workshop 2017



8th FerryBox Workshop

17-19 October 2017 on board of the ferry Color Fantasy

[See the announcement of the Workshop](#)

Recent Information



Current Publication:

Houliiez et al (2014):
Basin-scale spatio-temporal variability and control of phytoplankton photosynthesis in the Baltic Sea: The first multiwavelength fast repetition rate fluorescence study operated on a ship-of-opportunity

Total publication list:

[click here](#)

Contact



Coordinator

Dr. Wilhelm Petersen
Helmholtz-Zentrum Geesthacht
Phone: +49 4152 87 2358
Fax: +49 4152 87 2366

Email contact